

# MasterMover®

Worldwide Electric Tug Solutions



## MT5/400+ SS

# Master Tug

**Stainless Steel Electric  
Tug | MT5/400+ SS**

The MasterTug MT5/400+ SS is an electric tug completed in a 316 grade stainless steel chassis with a minimum IP44 protection. The compact size and easy to use functions makes this electric tug perfect for moving heavy loads up to 4000 kg in areas with restricted space. The excellent performance in all working environments is due to the MasterTugs detailed designed and ability to gain traction from the coupling system. It's very effective, safe and easy to use making it perfect for any pharmaceutical or food business wanting to improve safety and efficiency using electric tugs.

MasterTug MT5/400+ Stainless Steel

## Industries

Suitable for use in a wide range of applications and sectors



Pharmaceutical



Pharmaceutical



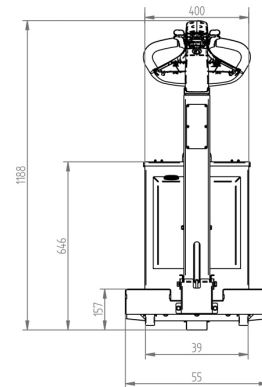
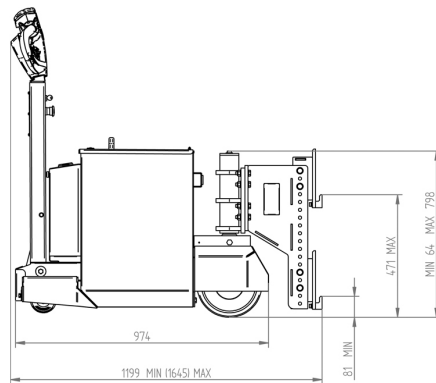
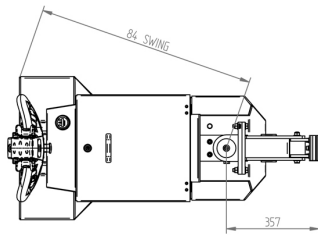
Pharmaceutical

## Key Benefits

1 year full guarantee

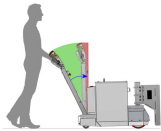
- Increases productivity
- Superior corrosion resistance
- Reduces manual handling
- Improves safety
- Reduces compensation claims
- Powerful yet easy to use electric tug
- Perfect for use in Food, Pharmaceutical and Chemical industries
- Supplied with full 1-year guarantee

## Product Dimensions



## Safety Features

See our website for full technical details



Automatic cut off when tiller arm returns to vertical



Anti-crush button



Emergency stop button



Warning horn

## MaxLoadWeight

See our website for full technical details



Castors

Up to 4,000 kg\*

\*"Maximum load weight" is only a recommendation that we arrive at by estimating rolling resistance. Your environment and wheel type may affect this figure which is why we carry out a detailed technical evaluation on every project. All of our calculations include a "safe work load" factor to ensure safe operation in all circumstances.

**Identification**

Product code	MT5/400+ SS IP44
Recommended load weight - Castors	4000 kg
Machine weight including battery	281 kg
Parking brake	Electromagnetic
Drive wheel type	Polyurethane
Drive motor power	1 kW
Controller type	AC
Variable machine speed	0.1 km/h - 5 km/h

**Battery options**

Battery pack - sealed - 102Ah 24V - interchangeable

**Charging options**

Charger - external - 15A 24V - 110V-240V

Charger - internal - 12.5A 24V - 110V-240V

**Additional equipment**

Option - flashing safety light and motion bleeper

Option - two speed selector switch

**Male coupling options**

Coupling - male - height adjustable combi

Coupling - male - height adjustable box

**Female coupling options**

Coupling - female - combi

Coupling - female - box

**Stainless Steel**

Ingress Protection (IP)	IP44
Corrosion resistant stainless steel metalwork	316 Grade
Mechanically polished stainless steel	240-grit abrasive to 0.6µ satin finish
Stainless steel and polyurethane castors	304 Grade, non-marking
Stainless steel Ram	1000kg, 316 Grade, welds dressed flush
Stainless steel nuts and bolts	316 Grade (A4)
Stainless steel gas spring	316 Grade
Sealed control cover	With IP rated glands for retractable cables
Food quality hydraulic oil	ISO Standard 32
Food quality lubricating grease	Fully synthetic

To arrange a demonstration, or for further information about our electric tug material handling solutions, please contact us

Airfield Industrial Estate, Moor Farm Road, Ashbourne, Derbyshire, DE6 1HD, United Kingdom

**Telephone Sales:** 01335 30 10 30 **Email:** sales@mastermover.com

**Fax:** 01335 34 77 11 **Website:** www.mastermover.com



## AboutUs

Located in Derbyshire, the UK's manufacturing hub, MasterMover is a British business success story with customers all over the world.

Our products are relied upon by market leading organisations and global brands across a broad cross-section of industries including Aerospace, Automotive, Pharmaceutical, Retail and Healthcare.

